

JH Solar

Bamako national energy storage demonstration project



Bamako national energy storage demonstration project



bamako chemical energy storage power station

It was approved by the Chinese National Energy Administration in April 2016 as the country's first national, large-scale chemical energy storage demonstration project.

Bloemfontein bamako air energy storage project

(CAES) project in Hubei, China, has come online, with 300MW/1,500MWh of capacity. How Containerized Battery Energy Storage System Works. The battery energy storage systems are

...



Bids invited for Battery Energy Storage Systems Projects in , Energy

The Project Implementation Units (UMOP) of Mali and Niger (EDM SA - NIGELEC) as well as the Regional Coordination Unit at the ECOWAS Commission (URC) have invited bids for the ...

Office of Clean Energy Demonstrations

OCED is a multi-technology office with demonstrations that include clean hydrogen, carbon management, advanced nuclear reactors,

long-duration energy storage, industrial demonstrations, demonstrations in rural areas ...



LFP12V100



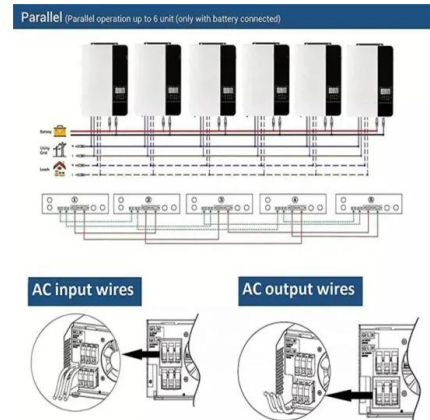
china energy storage technology bamako compressed air energy storage

China blowing hot on compressed air energy storage Nineteen additional CAES projects, with a combined capacity of 5.38 GW, are in the planning stage, according to the report. China's ...



bamako aoneng national energy storage

By interacting with our online customer service, you'll gain a deep understanding of the various bamako aoneng national energy storage featured in our extensive catalog, such as high ...



bamako photovoltaic energy storage system installation project

A novel storage system for cooling stand-alone photovoltaic installation... Stand-alone photovoltaic systems usually use batteries to adjust energy yield to energy demand. An ...

sri lanka electric bamako energy storage technology

Integrating photovoltaics with energy storage: Powering Sri Lanka... Two main types of energy storage technologies hold great potential for Sri Lanka: batteries and thermal energy storage. ...



Bamako national energy storage demonstration project

Contact us today to explore your customized energy storage system! Empower your business with clean, resilient, and smart energy--partner with East Coast Power Systems for cutting-edge ...

[bamako national energy storage](#)

UK energy storage in 2024: What's the state of play? BEN COOK. January 4, 2024. UK energy storage project capacity increased by two-thirds in the last year. Nation forecast to add more ...



Highvoltage Battery



bamako outdoor safe charging energy storage plant operation

...

bamako outdoor safe charging energy storage plant operation information Battery Energy Storage Systems (BESS): The 2024 UK Guide By definition, a Battery Energy Storage Systems (BESS) ...

what are the bamako gravity energy storage projects

European Investment Bank supports thermal, gravity energy storage projects The EU's European Investment Bank has pledged support for a long-duration thermal energy storage project and a ...



Bamako new energy storage demonstration project

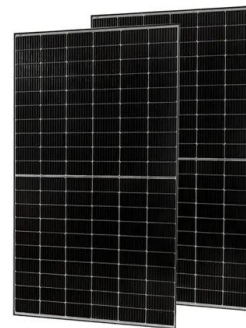
The Energy Storage Demonstration and Pilot Grant Program is designed to enter into agreements to carry out 3 energy storage system demonstration projects. The estimated opening date for ...



51.2V 150AH, 7.68KWH

Localizing energy storage in Bamako

Bamako new energy storage demonstration project , Solar ... bamako compressed air energy storage demonstration project. Publication Date: Oct. 15, 2015 Publishing Organization: U.S. ...



BAMAKO AIR ENERGY STORAGE PROJECT

Land for air energy storage project The world's largest liquid air energy storage demonstration project, independently developed and invested by China Green Development Investment ...

Energy Storage Demonstration and Pilot Grant Program

The Energy Storage Demonstration and Pilot Grant Program is designed to enter into agreements to carry out 3 energy storage system demonstration projects. Overview



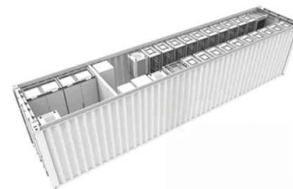
1075KWHH ESS

bloemfontein bamako air energy storage project

China's national demonstration project for compressed air energy storage ... On May 26, 2022, the world's first nonsupplemental combustion compressed air energy storage power plant ...

Bamako energy storage planning project

This project will be implemented in urban and rural areas. In Bamako, and regional cities, it will involve rehabilitation, upgrading, densification and extension of distribution networks in



Bamako energy storage demonstration

10-hour+ LDES. Image: Form Energy. The US federal Department of Energy (DOE) will offer up to US\$100 million for pilot-scale long-duration energy storage (LDES) projects

North korea bamako air energy storage project

The McIntosh Power Plant - Compressed Air Energy Storage System is an 110,000kW energy storage project located in McIntosh, Alabama, US. The electro-mechanical energy storage ...



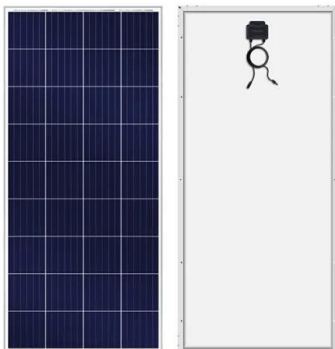
Bamako Energy Storage Power Station: Revolutionizing West

...

The Bamako Energy Storage Power Station isn't just another infrastructure project - it's a game-changing response to West Africa's chronic energy instability. Let's unpack how this ...

Luneng national energy storage power station ...

CATL's lithium-ion battery energy storage systems enable the power generation characteristics of wind and solar energy to reach the power quality of a conventional energy supply, and smoothly realize peak load ...



Bamako Energy Storage Battery Project: Powering Mali's ...

With 60% of the world's best solar resources located in Africa, the Bamako energy storage battery project might just be the first spark in a continental energy revolution.

Foreign compressed air energy storage projects

Abstract: Energy storage is the key technology to achieve the initiative of "reaching carbon peak in 2030 and carbon neutrality in 2060". Since compressed air energy storage has

...



[Mali Bamako Solar Project](#)

Explore GSOL Energy's Mali Bamako Solar Project, dedicated to delivering sustainable and efficient solar energy solutions. Learn how our innovative approach is powering communities ...

The Bloemfontein Bamako Air Energy Storage Project: Powering ...

Ever wondered how we'll store enough clean energy to power entire cities when the sun isn't shining or the wind stops blowing? Enter the Bloemfontein Bamako Air Energy Storage Project

...



Visit and inspect the bamako compressed air energy storage

...

On May 26, the world first non-supplementary combustion compressed air energy storage power station -- China 's National Experimental Demonstration Project Jintan Salt Eneco, Corre

...

national energy storage research and development center bamako

The Battery energy storage pillar of the National Research Council of Canada's (NRC) Advanced Clean Energy program works with collaborators to develop next-generation energy storage ...



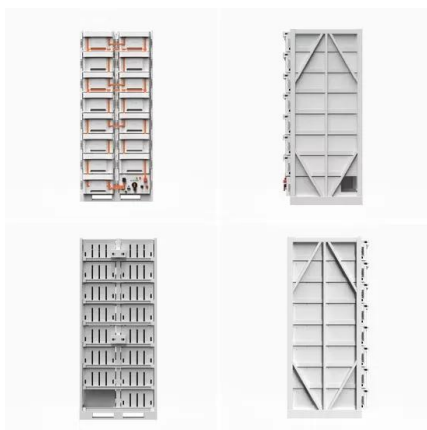
what are the bamako gravity energy storage projects

Video: Gravity energy storage capacity to power sustainable aviation The gravity energy storage solution is based on the engineering fundamentals of pumped hydroelectric energy storage but ...

National energy storage center bamako

A Science-to-Systems Approach. At Berkeley Lab's Energy Storage Center, more than 100 researchers are conducting pioneering work across the entire energy storage landscape, from ...

LPSB48V400H
48V or 51.2V



Bamako energy storage policy latest document

Green for UK BESS. Friday 24 May 2024 15:00. Ameresco, Inc. has announced that Ameresco and Envision Energy have been chosen by Atlantic Green to build the Cellarhead project, a ...

bamako gravity energy storage project tender announcement

The EU's European Investment Bank has pledged support for a long-duration thermal energy storage project and a gravity-based energy storage demonstration project.



North korea bamako energy storage project

North korea bamako energy storage project As the photovoltaic (PV) industry continues to evolve, advancements in North korea bamako energy storage project have become critical to ...

Contact Us

For catalog requests, pricing, or partnerships, please visit:
<https://apartamenty-teneryfa.com.pl>