

**JH Solar**

# Can photovoltaic energy storage be profitable



## Overview

---

How can energy storage be profitable?

Where a profitable application of energy storage requires saving of costs or deferral of investments, direct mechanisms, such as subsidies and rebates, will be effective. For applications dependent on price arbitrage, the existence and access to variable market prices are essential.

Is energy storage a profitable business model?

Although academic analysis finds that business models for energy storage are largely unprofitable, annual deployment of storage capacity is globally on the rise (IEA, 2020). One reason may be generous subsidy support and non-financial drivers like a first-mover advantage (Wood Mackenzie, 2019).

Why should you invest in energy storage?

Investment in energy storage can enable them to meet the contracted amount of electricity more accurately and avoid penalties charged for deviations. Revenue streams are decisive to distinguish business models when one application applies to the same market role multiple times.

Are rooftop solar panels a profitable investment?

Many have studied the profitability of specific investment opportunities, such as the use of lithium-ion batteries for residential consumers to increase the utilization of electricity generated by their rooftop solar panels (Hoppmann et al., 2014; Stephan et al., 2016; van der Stelt et al., 2018).

How would a storage facility exploit differences in power prices?

In application (8), the owner of a storage facility would seize the opportunity to exploit differences in power prices by selling electricity when prices are high and buying energy when prices are low.

Which technologies convert electrical energy to storable energy?

These technologies convert electrical energy to various forms of storable energy. For mechanical storage, we focus on flywheels, pumped hydro, and compressed air energy storage (CAES). Thermal storage refers to molten salt technology. Chemical storage technologies include supercapacitors, batteries, and hydrogen.

## Can photovoltaic energy storage be profitable

---



### Photovoltaic or wind farms - which is more profitable in 2025?

The rise in energy prices and technological development are prompting more and more investors - both individual and institutional - to consider choosing between a ...

### Energy storage and photovoltaic profit analysis

The coupled photovoltaic-energy storage-charging station (PV-ES-CS) is an important approach of promoting the transition from fossil energy consumption to low-carbon ...



### Solar Energy: A Growing Opportunity for Savvy ...

Once regarded as too expensive and inefficient, solar energy is now becoming a more viable option for both individual investors and businesses.

### How profitable is energy storage

Is energy storage a profitable investment? profitability of energy storage. eagerly requests technologies providing flexibility. Energy storage can provide such flexibility and is attract ing ...



## Policy options for enhancing economic profitability of residential

The PV-storage operators need to allocate a portion of storage capacity for storing solar energy, which makes it less available for price arbitrage. Yet, this policy can make ...

## Business Models and Profitability of Energy Storage

Our goal is to give an overview of the profitability of business models for energy storage, showing which business model performed by a certain technology has been examined and identified as ...

CE UN38.3 MSDS



## Are Solar Companies Profitable? [Updated: August 2025]

Final Word As you can see, solar companies are quite profitable, and there are many reasons why. With the right incentives and tax breaks, solar companies can make a lot of ...

## The most profitable industry of photovoltaic energy storage

The cost and optimisation of PV can be reduced with the integration of load management and energy storage systems. This review paper sets out the range of energy storage options for ...



## The most profitable industry of photovoltaic energy storage

Policy options for enhancing economic profitability of residential Solar PV is most profitable when used in combination with ToU tariffs, namely 4% more profitable compared to real-time and ...

## Best Solar Power Stocks Of 2025 - Forbes Advisor

It also offers power optimizers, "smart energy" management tools, energy storage solutions and other add-ons that help make the most of solar arrays.



## Photovoltaic energy storage profit point

The installation of photovoltaic energy storage systems for large industrial customers can reduce expenditures on electricity purchase and has considerable economic benefits. Different types of ...

## HOW CAN ENERGY STORAGE BE PROFITABLE

Before you invest in a battery storage system, consider the benefits it can provide when used with an existing or new solar panel system. A well-constructed battery energy storage system can ...



### ESS



## What is a high gross profit margin for photovoltaic energy

...

A consistently high gross profit margin indicates that a company is capable of maintaining its cost structure and can generate sufficient profits to cover operating expenses and provide returns

## When will energy storage be profitable? , NenPower

The integration of energy storage with renewable energy generates substantial advantages. For instance, solar PV systems paired with storage can supply power during ...



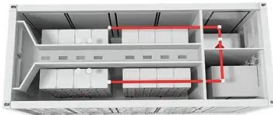
## What is a high gross profit margin for photovoltaic energy

...

Where a profitable application of energy storage requires saving of costs or deferral of investments, direct mechanisms, such as subsidies and rebates, will be effective. For ...

## How much profit does a photovoltaic energy storage project have?

In the context of renewable energy, photovoltaic (PV) systems capture sunlight and convert it into electricity, while energy storage systems allow energy to be stored for later ...

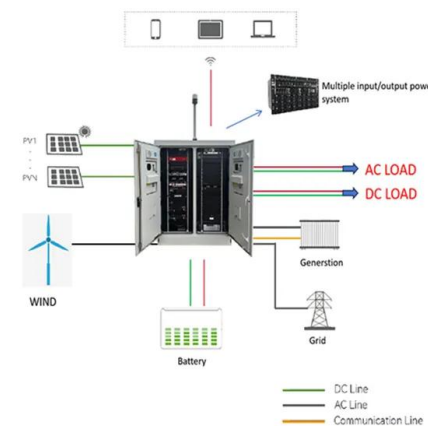


## Profit analysis of photovoltaic and energy storage companies

As fossil fuel prices fluctuate and the consequences of climate change unveil themselves, the profitability metrics for photovoltaic energy storage systems become

## Can photovoltaic systems be profitable in urban areas? Analysis ...

The revised renewable energy directive 2018/2001/EU (European Parliament, 2018) establishes a new target for 2030: at least 32% of the total energy needs of the EU ...



## Does energy storage provide a profitable second life for electric

This increasing stockpile of retired batteries raises the question of whether and how they can be disposed of, reused, repurposed or recycled. In this paper we investigate ...

## Policy options for enhancing economic profitability of residential

With higher price volatility, the provision of storage services for the grid, and battery innovation-driven declining costs, it could be possible for the integrated PV-EES system ...



## ARE PHOTOVOLTAICS AND STORAGE SYSTEMS PROFITABLE

Can hydrogen storage be integrated with rooftop photovoltaic systems? This study focused on the modelling and optimization of hydrogen storage integrated with combined heat and power ...

## How much profit does a photovoltaic energy storage project have?

Photovoltaic energy storage projects can generate revenue through several channels. Energy created from PV systems can be sold back to the grid under net metering ...



## Profit model of supporting energy storage for industrial and ...

How can energy storage be profitable? Where a profitable application of energy storage requires saving of costs or deferral of investments, direct mechanisms, such as subsidies and ...

## In-depth explainer on energy storage revenue and ...

These varying uses of storage, along with differences in regional energy markets and regulations, create a range of revenue streams for storage projects.



### Solar-Plus-Storage 101

. What's a solar-plus-storage system? Many solar-energy system owners are looking at ways to connect their system to a battery so they can use that energy at night or in the event of a power outage. ...

## How do photovoltaic energy storage projects make money?

Delving deeper into the mechanics of energy sales illuminates a multi-faceted approach where, coupled with analytical modeling tools, photovoltaic energy storage projects ...



## EMBER: Solar with batteries becomes profitable in the world's ...

The report concluded that in particularly sunny locations such as Las Vegas in the United States, a system combining six gigawatts (GW) of photovoltaic solar panels with 17 gigawatt-hours ...

## Efficient energy storage technologies for photovoltaic systems

For photovoltaic (PV) systems to become fully integrated into networks, efficient and cost-effective energy storage systems must be utilized together with intelligent demand ...

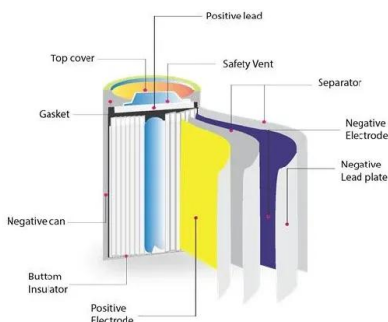


## How does energy storage work with photovoltaics? Advantages ...

Therefore, it can be predicted that in the coming years energy storage will be a standard component of modern photovoltaic systems. Energy storage with photovoltaics - summary ...

## Is energy storage profitable?

Energy storage increases the profitability of photovoltaic installations by allowing excess energy production to be stored for use during times of energy shortage or ...



## Profit analysis of photovoltaic and energy storage companies

Can energy storage systems reduce the cost and optimisation of photovoltaics? The cost and optimisation of PV can be reduced with the integration of load management and energy storage ...

## Contact Us

---

For catalog requests, pricing, or partnerships, please visit:  
<https://apartamenty-teneryfa.com.pl>