

**JH Solar**

# **China energy storage enterprise innovation ranking**



## Overview

---

The China Energy Storage Alliance (CNESA) has released its 2024 rankings of Chinese energy storage companies, with CATL, Sungrow, and CRRC Zhuzhou Institute securing top positions across key segments. From ESS News China's top energy storage companies in 2024 have been named by the China Energy.

The China Energy Storage Alliance (CNESA) has released its 2024 rankings of Chinese energy storage companies, with CATL, Sungrow, and CRRC Zhuzhou Institute securing top positions across key segments. From ESS News China's top energy storage companies in 2024 have been named by the China Energy.

Over 40 companies made the list, with CATL, Shoto, Kehua Tech, Sungrow, CRRC Zhuzhou Institute, and JD Energy topping the respective rankings. About the CNESA Annual Energy Storage Company Rankings Since 2015, the China Energy Storage Alliance has been publishing the "Annual Energy Storage Company.

The China Energy Storage Alliance (CNESA) recently released its 2024 rankings, highlighting the leading companies in China's energy storage sector. Based on shipment volumes and installed capacity, the rankings showcase the competitive dynamics of the industry and its growing global presence. In.

Explore the leading industrial and commercial energy storage suppliers in China, their market positioning, and the technological innovations shaping the future of energy storage. Learn about key industry trends and challenges. 1. Overview of the Commercial and Industrial Energy Storage Market in.

EESA unveiled the 2023 data rankings for the energy storage industry chain. Notably, JDenergy secured the top spot in the rankings of Chinese enterprises' domestic and global shipments of user-side energy storage system solutions. This outstanding achievement further reinforces JDenergy's position.

5 energy storage companies in china . It has an 8-hour capacity of energy delivery and a long operating life of ver 20 years perfect for commercial use.

Impact Founded in 2005, Impact Clean Power Technology, or IPCT is a manufacturer of battery systems for stationary and industry energy stor.

The 2023 rankings by the Zhongguancun Energy Storage Industry Technology Alliance highlight China's top battery energy storage system integrators across domestic, global, user-side, and DC markets, showcasing rapid industry growth and innovation. In March 2024, the Zhongguancun Energy Storage. What are the top energy storage technology providers in China?

1. Energy Storage Technology Provider Rankings In 2019, among new operational electrochemical energy storage projects in China, the top 10 providers in terms of installed capacity were CATL, Hige Energy, Guoxuan High-Tech, EVE Energy, Dynavolt Tech, Narada, ZTT, Lishen, Sacred Sun, and China BAK.

What are the top 10 energy storage systems integrators in China?

In 2019, among new operational electrochemical energy storage projects in China, the top 10 energy storage system integrators in terms of installed capacity were Sungrow, CLOU Electronics, Hyperstrong, CUBENERGY, Dynavolt Tech, Narada, Shanghai Electric Guoxuan, Ray Power, Zhiguang Energy Storage, and NR Electric.

Who are the top ten battery storage system integrators?

User-Side Market Rankings In the domestic user-side market, the top ten battery storage system integrators are: 1. Singularity Energy - Leading the user-side energy storage segment. 2. BYD - A major player with a significant share in the user-side market. 3. CaiRi Energy - Known for its effective energy storage solutions. 4.

Who are the best energy storage companies?

Ronghe Yuan Storage - A prominent name in energy storage integration. 7. Goldwind Zero Carbon - Specializing in carbon-neutral energy solutions. 8. Pinggao Group - A leading provider of energy storage systems with a broad market reach. 9. Xuji Electric - Renowned for its high-quality storage solutions.

How big is China's energy storage capacity in 2022?

Pumped storage capacity amounted to 51.3 GW, decreasing from 77.1% in 2022 to 59.4%. New energy storage installations reached 34.5 GW/74.5 GWh,

marking an 18.2 percentage point increase, highlighting the rapid expansion and advancement of energy storage technologies in China.

Who are the leading user-side energy storage companies?

1. Singularity Energy – Leading the user-side energy storage segment. 2. BYD – A major player with a significant share in the user-side market. 3. CaiRi Energy – Known for its effective energy storage solutions. 4. Hongzheng Storage – Prominent in the user-side market. 5. Zhongtian Storage – A key provider of user-side energy storage.

## China energy storage enterprise innovation ranking

---



### China energy storage inverter enterprise ranking

Sinovoltaics starts 2020 with the release of 2 brand new Ranking Reports: Energy Storage Manufacturer Ranking Report - Edition #1-2020 Inverter Manufacturer Ranking Report - ...

### China's top 500 enterprises see steady growth

BEIJING, Sept. 11 -- China's top 500 enterprises posted steady performance last year with rising revenue and a greater focus on innovation, an industrial ranking report showed Wednesday. ...



### Energy storage enterprise performance ranking

The energy storage enterprise ranking is a system that evaluates and categorizes companies based on their performance, innovation, and market presence in

### Xinyuan Listed in Two Rankings of Chinese Energy Storage ...

During the meeting, the White Paper on Energy Storage Industry Research 2022 and the China

Energy Storage Enterprise Ranking 2021 were released. Xinyuan Smart Energy Storage Co., ...



## Energy storage product enterprise ranking

The energy storage sector reached new heights in 2023, as showcased at the annual Energy Storage Carnival and the release of the Global Energy Storage Shipment ...

## CATL, Sungrow and CRRC Zhuzhou lead Chinese energy ...

...

The China Energy Storage Alliance (CNESA) has released its 2024 rankings of Chinese energy storage companies, with CATL, Sungrow, and CRRC Zhuzhou Institute ...



## CNESA:Lists of China's Companies Energy ...

It is more significance development for China's energy storage In 2023. The annual growth rate of new energy storage set a new record,with two years ahead of schedule achieve the national 14th Five ...

## Haide New Energy ranked among the "Top 100 New Energy Storage ...

On March 29, at the 6th Energy Storage Carnival and the 2023 China Energy Storage Enterprise Global Shipment Ranking Conference, the Energy Storage Leader Alliance (hereinafter ...

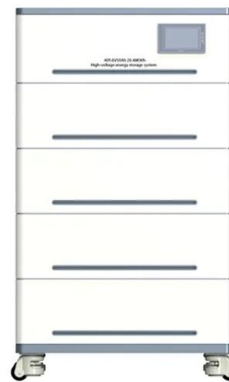


## Rankings -- Industry News -- China Energy Storage Alliance

Figure 2: Top 5 Chinese energy storage base station/IDC technology providers in the 2024 global market, Unit: GWh Note: The shipment data of backup power batteries for ...

## XYZ Storage Achieves Top Rankings in 2024 Industry Report

On April 10, 2025, the China Energy Storage Alliance (CNESA) released its 2024 industry rankings at the 13th Energy Storage International Conference and Expo (ESIE 2025).



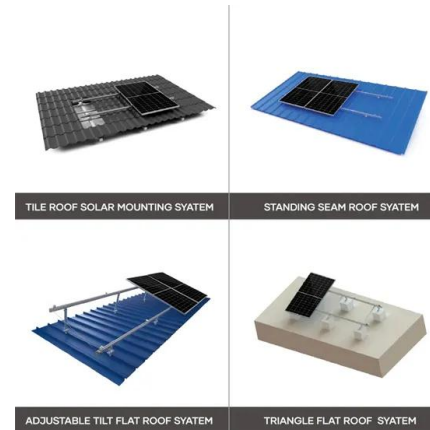
## China Battery Energy Storage System Report 2024 ...

China is committed to steadily developing a renewable-energy-based power system to reinforce the integration of demand- and supply-side management. An augmented focus on energy storage ...

## CATL, Sungrow and CRRC Zhuzhou Lead Chinese Energy

...

The China Energy Storage Alliance (CNESA) recently released its 2024 rankings, highlighting the leading companies in China's energy storage sector. Based on ...



## China's Top 10 Commercial and Industrial Energy ...

Explore the leading industrial and commercial energy storage suppliers in China, their market positioning, and the technological innovations shaping the future of energy storage.

## Energy storage projection pioneer Website List

Energy storage projection pioneer website list, Energy storage projection pioneer website recommendations, Energy storage projection pioneer website rankings, provided by ...

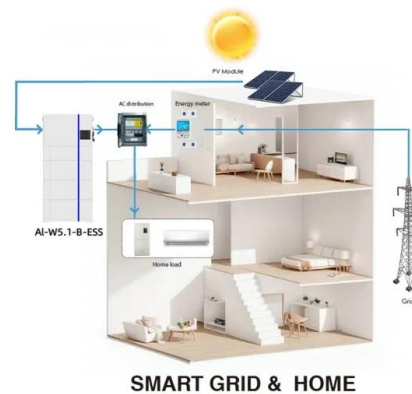


## Energy storage system enterprise ranking

An Introduction to Battery Energy Storage Systems and Their . For instance, during peak power generation periods, an excess of generated power from renewable sources beyond load ...

## Liquid Cooling Energy Storage Enterprise Ranking: Who's ...

This technology dominates applications like grid-scale storage, renewable energy integration, and peak shaving. But who's winning the race? Let's break down the liquid ...



## Rankings -- Industry News -- China Energy Storage Alliance

Since 2015, the China Energy Storage Alliance has been publishing the "Annual Energy Storage Company Rankings." Over the past 10 years, these rankings have received ...

## Ranking of industrial energy storage processing enterprises

What are the top energy storage technology providers in China? 1. Energy Storage Technology Provider Rankings In 2019, among new operational electrochemical energy storage projects in ...



## ESIE 2025 Concludes with Great Success -- China Energy Storage ...

The 9th International Energy Storage Innovation Competition and the 2024 China Energy Storage Enterprise Rankings were announced, recognizing energy storage ...

## Top 20 energy storage companies in china

This article is aimed at providing you with details on China's Top 5 energy storage BMS companies, including the development history, company profiles and related industry layouts of ...



### [Xi'an JDEnergy Co.](#)

Through comprehensive evaluations across four dimensions--industry reputation, market share, technological innovation, and future potential--JDEnergy stood out in ...

## China-Europe Lithium Battery Energy Storage Enterprise Ranking ...

The lithium battery energy storage sector is growing faster than a rocket launch, particularly in the China-Europe corridor. With renewable energy integration and grid stability demands soaring, ...



## Portable energy storage enterprise ranking china

What are the top energy storage technology providers in China? 1. Energy Storage Technology Provider Rankings In 2019, among new operational electrochemical energy storage projects in ...

## Energy storage enterprise ranking 50

The energy storage enterprise ranking is a system that evaluates and categorizes companies based on their performance, innovation, and market presence in the energy storage sector. ...

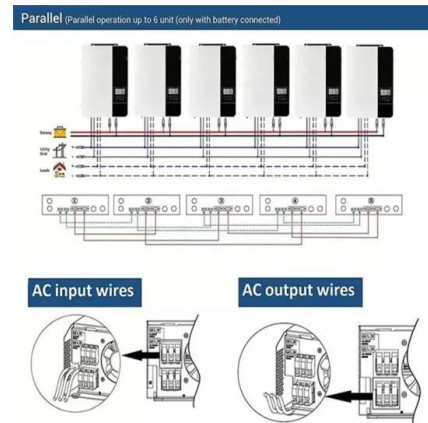


## Energy Storage Container Power Station Enterprise Ranking

What are the top energy storage technology providers in China? 1. Energy Storage Technology Provider Rankings In 2019, among new operational electrochemical energy storage projects in ...

## Top 10 industrial and commercial energy storage ...

5 ???· China, as a major energy country in the world, has played an important role in the research and development and application of energy storage technology, especially in the field of industrial and commercial ...



## Smart energy storage enterprise ranking list

On March 29, 2024, the 6th Energy Storage Carnival and the launch ceremony of the 2023 Global Shipment Ranking of China's Energy Storage Enterprises, organized by the EESA, officially ...

## China-europe energy storage enterprise

According to incomplete statistics from CNESA DataLink Global Energy Storage Database, by the end of June 2023, the cumulative installed capacity of electrical energy storage projects ...



## 2025 energy storage enterprise ranking

This report, supported by the U.S. Department of Energy's Energy Storage Grand Challenge, summarizes current status and market projections for the global deployment of selected energy ...

## 2025 ENERGY STORAGE ENTERPRISE RANKING

FAQs about Energy Storage Battery Enterprise Ranking List Who are the major battery energy storage system companies? Major Battery Energy Storage System companies include: BYD ...

### APPLICATION SCENARIOS



## Top Battery Energy Storage System (BESS) ...

These rankings illustrate the dynamic and competitive landscape of China's energy storage industry, showcasing its growing influence both domestically and globally.

## Xinyuan Smart Energy Storage Co., Ltd. Selected ...

Based on the project development, design, integration and operation of new energy storage power stations, Xinyuan continues to lead the high-quality development of intelligent energy, and strives to build a platform-oriented ...



## [China energy storage city ranking](#)

1. Energy Storage Technology Provider Rankings  
In 2019, among new operational electrochemical energy storage projects in China, the top 10 providers in terms of installed capacity were ...

## Energy storage system enterprise ranking

China Hydrogen Energy Enterprise Ranking 2023.  
By. Fuel Cells Works. April 25, 2024 at 3:33 PM EDT. Guofu Hydrogen has ranked first in domestic vehicle-mounted hydrogen storage ...



## Contact Us

---

For catalog requests, pricing, or partnerships, please visit:  
<https://apartamenty-teneryfa.com.pl>