

**JH Solar**

# **Commercial energy storage solutions in italy**



## Overview

---

This article will detail the top 10 energy storage companies in Italy, including Infinity Electric Energy Srl, Poseidon HyPerES, Apio, Zeromy, Magaldi Green Energy srl, ESE, Enel, Sonolis, Green Energy Storage Srl, Energy Dome S.P.A. What are the top 10 energy storage companies in Italy?

This article will detail the top 10 energy storage companies in Italy, including Infinity Electric Energy Srl, Poseidon HyPerES, Apio, Zeromy, Magaldi Green Energy srl, ESE, Enel, Sonolis, Green Energy Storage Srl, Energy Dome S.P.A. You can also the top list articles to know more information about energy storage industry, such as.

Is Italy a leader in industrial energy storage and commercial energy storage?

Accordingly, there is a growing market for industrial energy storage and commercial energy storage projects, positioning Italy as a leader in advanced Italy storage solutions and renewable energy Italy initiatives.

Is there a need for energy storage solutions in Italy?

Local industry contacts, as well as U.S. sector firms, have also indicated to Post that there is a need for energy storage solutions in Italy.

Does Italy need electricity storage?

As Italy's energy mix is increasingly composed of variable renewable energy sources, electricity storage will be needed to integrate power generated by renewables into the national grid and make it available when sun and wind energy are not accessible.

How will Italy develop utility-scale electricity storage facilities?

To develop utility-scale electricity storage facilities, the Italian Government set up a scheme that was approved by the European Commission at the end of 2023. Italy will promote investments in utility scale electricity storage to reach at least 70 GWh, and worth over Euro 17 bn, in the next ten years.

Are battery energy storage systems needed in Italy?

Therefore, battery energy storage systems (BESS) are needed in Italy. The Italian market for BESS is growing rapidly and currently amounts to 2.3 GW but it almost exclusively consists of residential scale systems, associated with small scale solar plants, having a capacity of less than 20 kWh.

## Commercial energy storage solutions in Italy

---

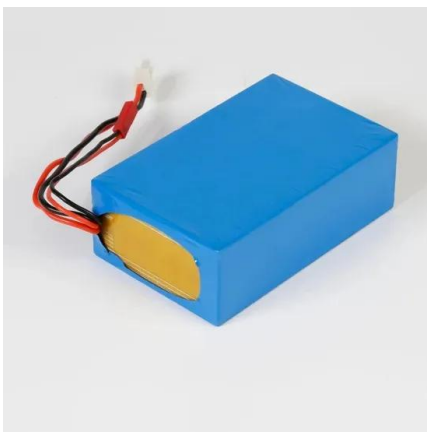


### Commercial & Industrial Energy Storage System

Implementing peak smoothing and load shifting, HyperStrong provides C& I energy storage solutions that help commercial and industrial customers utilize off-peak power to reduce electricity costs, balance peak load, and ...

### Italy Energy Storage Project Case - 90kWh GSL High Voltage ...

Discover how a residential user in Italy installed a 90kWh GSL high voltage battery system using modular HV battery cabinets and hybrid inverters. Explore the benefits of ...



### BESS: the future of renewable energy storage

Italy, which has always been a pioneer in renewable energy, continues to innovate with BESS (Battery Energy Storage Systems). Enel is leading this revolution with advanced projects both nationally and ...

### Battery Storage Systems in Italy , Enel Green Power

BESS, or battery energy storage systems, are an essential element of the energy transition: the Enel Group is playing an important role in the

growth of the sector, in Italy and in the other countries where it is ...



**LPSB48V400H**  
**48V or 51.2V**



## Solar energy in Italy

Supply high-quality solar products from China, including home solar systems, energy storage batteries, commercial energy storage cabinets and containerized energy storage systems. Find ...

## Glennmont, Exus team up on 800 MW of BESS ...

London-based fund manager Glennmont Partners and renewable energy asset management firm Exus Renewables have agreed to jointly develop around 800 MW of battery storage projects in southern Italy.



## Battery Energy Storage System Project

Energy Storage System Lithium Battery With a modular design, lithium batteries for energy storage can be easily integrated into existing power systems or expanded to meet growing energy ...

## Top 10 Energy Storage Companies in Italy , PF Nexus

This article highlights the most prominent developers, EPCs, and solution providers in the Italian energy storage market, presenting the top 10 companies. These actors ...



## Commercial energy storage installations in Italy

In 2024, Italy's energy storage market saw remarkable progress, with a 24.6% rise in the number of storage systems and a 30.4% increase in total rated power, reflecting the growth of larger, ...

## Commercial Energy Storage Guide: Types and ...

Commercial energy storage systems are becoming a game changer, offering new possibilities for efficiency and sustainability. This article delves into the cutting-edge advancements in commercial energy storage, ...



## Top 10 energy storage manufacturers in the world

Company profile: Since 2008, as one of top 10 household energy storage manufacturers in China, BYD energy storage has focused on the research and development and application of energy ...

## Commercial Energy Solutions: Industrial Solar and Energy Storage ...

Optimize and access reliable, cost-effective energy through advanced commercial and industrial energy storage solutions, safeguarding your facility from power outages and interruptions.



## Commercial Energy Storage Solutions

With a broad range of contracted energy storage projects under management and in the pipeline, TotalEnergies has the technical expertise to help our customers navigate the complexities of sizing behind-the-meter storage ...

## Italian Energy Storage Solutions: Top Suppliers and Trends ...

This isn't just a postcard - it's Italy's energy revolution in action. As Europe's third-largest renewable energy market, Italy has become a testing ground for cutting-edge ...



## Dyness C& I Energy Storage Solutions: Empowering Green ...

As the global transition to renewable energy gathers pace and regional electricity prices remain volatile, commercial and industrial (C& I) energy storage systems are ...

## Italy added 25% more energy storage systems in Q2

Italy had 650,007 grid-connected energy storage systems at the end of June 2024, according to Italian PV association Italia Solare, with a total of 4.5 GW of rated power. "During the first half

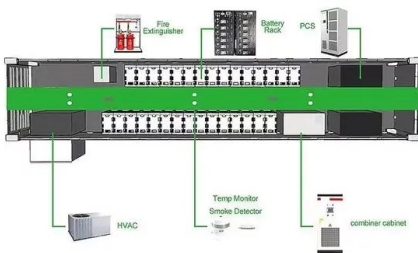


## Energy Storage Technology Companies in Italy: Pioneering a ...

That's modern Italy for you - blending historical charm with energy storage innovation. As Europe pushes toward net-zero goals, energy storage technology companies in ...

## Energy Storage Solutions

ABB's Smart Living solutions focus on enhancing energy efficiency, comfort, and security within homes. These solutions integrate various smart technologies to create a connected home environment that allows ...



## EU approves Italy EUR17.7 billion state aid for energy ...

Italy's TSO Terna says it needs 9GW/71GWh of energy storage by integrate its renewables pipeline. Image: Terna. The European Union (EU) Commission has approved a state aid scheme aiming to fund ...

## Shining at Key Energy 2025, TWS Technology ...

On March 5-7, TWS Technology presented its new generation of energy storage solutions for the industrial and commercial and utility sectors the KEY ENERGY 2025 in Rimini, Italy, fully demonstrating ...



## Debut in Italy! REPT BATTERO Unveils its Comprehensive Energy Storage

In the context of the ongoing energy transition, the global utilisation rate of renewable energy continues to rise, thereby increasing the demand for energy storage ...

## Energy Dome And ENGIE Sign Pioneering Storage ...

This agreement highlights the shared commitment of ENGIE and Energy Dome to advancing long-duration energy storage solutions, marking a significant milestone in the commercial deployment of ...



## Home []

Storage Systems for residential, commercial and industrial, Grid Scale Storage Systems for residential, Commercial and industrial, grid Scale. Dreaming to give every individual, family or business, the tangible ...

## Energy Storage Industry Trends: C& I Energy Storage Market ...

In the future, GSL Energy will continue to focus on industrial and commercial energy storage solutions, promote global energy transformation, and help enterprises realize ...

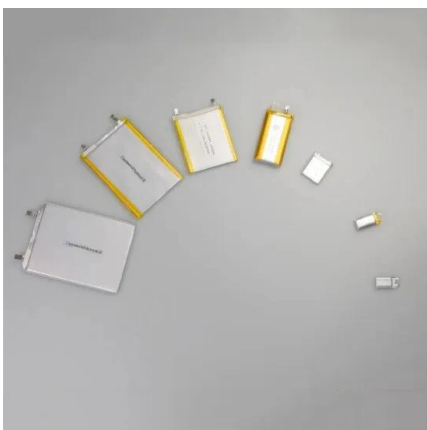
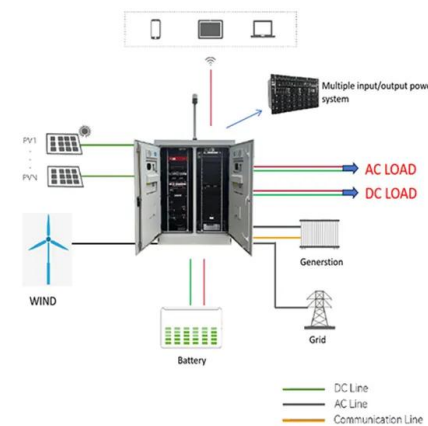


## Italy Sees Exponential Growth in Utility-Scale Battery Storage, ...

Italy's energy storage landscape is undergoing a major shift, with utility-scale battery energy storage systems (BESS) experiencing exponential growth in 2024, even as ...

## Energy Storage Technology Companies in Italy: Pioneering a ...

As Europe pushes toward net-zero goals, energy storage technology companies in Italy are stealing the spotlight with groundbreaking solutions. Let's unpack why global ...



## Italy, strategic hub for energy storage: investment boom

2 ??? "We want to be a market leader and make Italy one of the top five countries in which we operate." The German company Sma, which has been operating in Italy for some 20 years, ...

## Italy Accelerates Solar Energy and Industrial Energy Storage ...

...

The government has set ambitious goals for increasing renewable energy on the national grid, with a particular focus on bolstering both solar energy and energy storage ...



## Italy to hold first energy storage capacity auctions ...

The energy minister of Italy has signed a decree paving the way for an energy storage capacity auction to kick off in the first half of 2025.

## A postcard from... Italy , Energy Storage Coalition

Specifically, this involves amending existing laws, such as those in Italy, to encompass all types of energy storage solutions, and not limiting public procurement to ...



## Sungrow Signs Strategic Distribution Agreement with PM Service ...

Sungrow, global leading inverter and Energy Storage System (ESS) supplier, announces a new strategic distribution partnership with PM Service S.p.A., a prominent Italian ...

## ITALY

Energy storage poised to play a critical role in Italy's energy transition As the share of wind and solar in Italy's power system grows to reach Italy's 55% renewable electricity target by 2030,

...



## Contact Us

---

For catalog requests, pricing, or partnerships, please visit:  
<https://apartamenty-teneryfa.com.pl>