

JH Solar

Energy storage application fields and scenarios



Energy storage application fields and scenarios



New Energy Storage Technologies Empower Energy

...

The former application scenario has a very limited market size, with generators mainly focusing on new energy distribution and storage in the application of electrochemical energy storage ...

Super capacitors for energy storage: Progress, applications and

Nowadays, the energy storage systems based on lithium-ion batteries, fuel cells (FCs) and super capacitors (SCs) are playing a key role in several applications such as power ...



Energy Storage Business Model and Application Scenario ...

As the core support for the development of renewable energy, energy storage is conducive to improving the power grid ability to consume and control a high propo

Battery technologies for grid-scale energy storage

Energy-storage technologies are needed to

support electrical grids as the penetration of renewables increases. This Review discusses the application and development ...

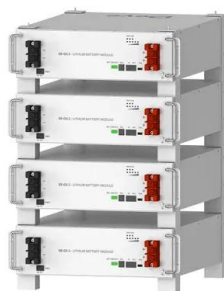
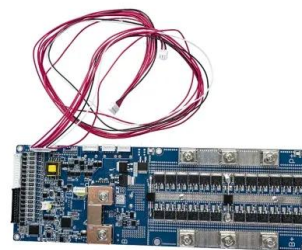


A study on the energy storage scenarios design and the business ...

Therefore, this paper focuses on the energy storage scenarios for a big data industrial park and studies the energy storage capacity allocation plan and business model of ...

energy storage application scenarios and application scenarios

A comprehensive review of energy blockchain: Application scenarios and development trends The disruptive nature of blockchain technology has drawn considerable interest from different types ...



Deye Official Store

10 years
warranty

Top 10 Application Scenarios of Energy Storage ...

From the perspective of the power system, the application scenarios of energy storage can be subdivided into grid-side energy storage and user-side energy storage. In actual applications, energy

Top 10 Applications of Industrial and Commercial Energy Storage

The ten applications of C& I ESS span from industrial production to daily life, urban development to remote regions. These scenarios highlight the pivotal role of energy ...



Challenges and progresses of energy storage technology and its

The application scenarios of energy storage technologies are reviewed and investigated, and global and Chinese potential markets for energy storage applications are ...



LPR Series 19
Rack Mounted



Energy Storage Systems: Technologies and High ...

This paper provides a comprehensive overview of recent technological advancements in high-power storage devices, including lithium-ion batteries, recognized for their high energy density. In addition, a ...



Application Scenarios Of Energy Storage Containers: Energy ...

In the continuous development and transformation of the energy field, energy storage containers, as an efficient and flexible energy storage solution, are emerging in ...

Applications of lithium battery energy storage in different scenarios

The performance of lithium battery energy storage systems may vary in different application scenarios, mainly reflected in aspects such as energy density, cycle life, safety, and cost. The

...



Top 5 Application Scenarios of Energy Storage Solutions

Have you ever wondered what energy storage is or how it works? Well, the answer depends on the technology being used. In this article, we'll explore and look at five key ...

Comparative techno-economic evaluation of energy storage

...

Energy storage technology is a crucial means of addressing the increasing demand for flexibility and renewable energy consumption capacity in power systems. This ...



48V 100Ah



Introduction to four application scenarios of photovoltaic + energy

In the field of new energy, photovoltaic inverters and energy storage inverters are important equipment, and they play an indispensable role in our lives. But what exactly is the difference ...

Types and application scenarios of energy storage ...

After new energy is integrated into the power grid, energy storage can achieve real-time balance in power, improve the capacity factor of the system, improve energy consumption capacity, and cut peaks and fill ...



Review of Stationary Energy Storage Systems Applications, Their

Purpose of Review This review paper attempts to give a general overview on the BESS applications that demonstrate a high potential in the past few years, identifying most ...

Distributed energy storage - a deep dive into it

This article provides a deep dive into the concept of distributed energy storage, a technology that is emerging in response to global energy storage demand, energy crises, and climate change issues. It details the ...



Supercapacitors: An Emerging Energy Storage System

Electrochemical capacitors are known for their fast charging and superior energy storage capabilities and have emerged as a key energy storage solution for efficient and ...

Different energy storage techniques: recent advancements, ...

In the present work, the concepts of various energy storage techniques and the computation of storage capacities are discussed. Energy storage materials are essential for the utilization of ...

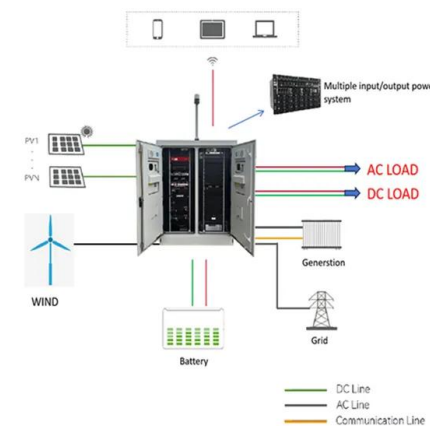


Top 10 application scenarios of energy storage

As energy storage technology becomes more mature, costs gradually decrease, and electricity price incentive policies continue to be introduced, the application ...

Application scenarios of energy storage batteries

The application scenarios of energy storage batteries are very wide, covering many fields from power systems to transportation, from industrial production to residents' lives. The following is a detailed ...



Energy storage techniques, applications, and recent trends: A

Energy storage provides a cost-efficient solution to boost total energy efficiency by modulating the timing and location of electric energy generation and consumption. The ...

Energy Storage Business Model and Application Scenario ...

As the core support for the development of renewable energy, energy storage is conducive to improving the power grid ability to consume and control a high proportion of renewable energy. ...



Application scenarios of energy storage batteries - LNC Batteries

The application scenarios of energy storage batteries are very wide, covering many fields from power systems to transportation, from industrial production to residents' lives. The following is ...

Ten Application Scenarios Of Energy Storage Projects

These projects include solutions based on different technologies such as batteries, supercapacitors and compressed air. Below we will introduce the introduction of the ...



Top 10 Application Scenarios of Energy Storage Systems

From the perspective of the power system, the application scenarios of energy storage can be subdivided into grid-side energy storage and user-side energy storage. In actual ...

Industrial and Commercial Energy Storage: Key ...

This article explores the major application scenarios of industrial and commercial energy storage and how businesses can leverage these systems for maximum efficiency and sustainability.



Artificial intelligence-driven rechargeable batteries in multiple

Review article Artificial intelligence-driven rechargeable batteries in multiple fields of development and application towards energy storage Li Zheng a, Shuqing Zhang a, ...

Magnetic-field induced sustainable electrochemical energy harvesting

Among the various applications of this field, we mainly focus on renewable energy harvesting and storage, which definitely is a blue-eyed subject among many researchers in the ...

To Strive forward No Energy Waste



- ✓ All in one
- ✓ 100~215kWh High-capacity
- ✓ Intelligent Integration



Application of energy storage in scenarios of power generation, ...

In the power system, the application scenarios of energy storage can be divided into generation side energy storage, grid side energy storage, and consumption side energy storage. The role ...

Contact Us

For catalog requests, pricing, or partnerships, please visit:
<https://apartamenty-teneryfa.com.pl>