

JH Solar

How to achieve profitability in energy storage



Overview

Think energy storage is just about saving solar power for a rainy day?

That's like saying smartphones are just for making calls. Modern storage systems are Swiss Army knives of revenue generation: When Tesla deployed its 100 MW Megapack system in Texas, it wasn't just about green cred. The system.

Think energy storage is just about saving solar power for a rainy day?

That's like saying smartphones are just for making calls. Modern storage systems are Swiss Army knives of revenue generation: When Tesla deployed its 100 MW Megapack system in Texas, it wasn't just about green cred. The system.

There are three main ways that grid-scale energy storage resources (ESR's) can make money: energy price arbitrage, ancillary grid services, and resource adequacy. In several markets, energy storage resources (ESRs) can make money by arbitraging the swings in the real-time wholesale electricity.

How can you increase profits in your energy storage business?

By adopting strategic approaches like investing in advanced R&D, expanding market reach, and enhancing customer experience, your venture can soar. Explore how these strategies can transform your profitability and consider using our. How can energy storage be profitable?

Where a profitable application of energy storage requires saving of costs or deferral of investments, direct mechanisms, such as subsidies and rebates, will be effective. For applications dependent on price arbitrage, the existence and access to variable market prices are essential.

Is energy storage a profitable business model?

Although academic analysis finds that business models for energy storage are largely unprofitable, annual deployment of storage capacity is globally on the

rise (IEA, 2020). One reason may be generous subsidy support and non-financial drivers like a first-mover advantage (Wood Mackenzie, 2019).

How do business models of energy storage work?

Building upon both strands of work, we propose to characterize business models of energy storage as the combination of an application of storage with the revenue stream earned from the operation and the market role of the investor.

Why should you invest in energy storage?

Investment in energy storage can enable them to meet the contracted amount of electricity more accurately and avoid penalties charged for deviations. Revenue streams are decisive to distinguish business models when one application applies to the same market role multiple times.

Does storage capacity improve investment conditions?

Recent deployments of storage capacity confirm the trend for improved investment conditions (U.S. Department of Energy, 2020). For instance, the Imperial Irrigation District in El Centro, California, installed 30 MW of battery storage for Frequency containment, Schedule flexibility, and Black start energy in 2017.

How would a storage facility exploit differences in power prices?

In application (8), the owner of a storage facility would seize the opportunity to exploit differences in power prices by selling electricity when prices are high and buying energy when prices are low.

How to achieve profitability in energy storage

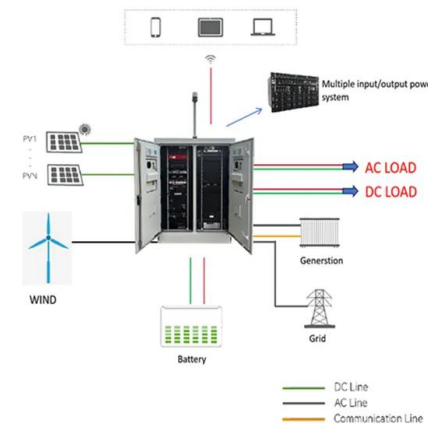


Innovating for Profit: Leading Solar Power and Energy Storage ...

Renewable Energy. Overseeing innovation initiatives within a renewable energy company that's striving to differentiate itself in a crowded market through cutting-edge technology in solar ...

How much profit does the energy storage equipment have?

1. MARKET DYNAMICS Understanding the market landscape is vital for assessing the profit potential of energy storage. Multiple factors intertwine to influence ...



Business Models and Profitability of Energy Storage

Our goal is to give an overview of the profitability of business models for energy storage, showing which business model performed by a certain technology has been examined ...

How much money can energy storage make a profit , NenPower

By optimizing practices and remaining adaptive to fluctuations in market and regulatory environments, energy storage operators can unlock impressive profit potential, ...



The Dawn of Data-Driven Profitability in Energy Storage:

...

This indicates that both new energy and energy storage will undergo a genuine market adjustment. The future profitability of these sectors will largely depend on the ...

How do energy storage companies make money? , NenPower

Energy storage companies derive revenue through 1. Capacity payments, 2. Energy arbitrage, 3. Ancillary services, 4. Long-term contracts, and they achieve profitability by ...



How much profit does energy storage electricity charge have

A substantial financial benefit is associated with energy storage electricity charging; 1. profit margins can vary significantly, influenced by market conditions and ...



Maximize Your Solar Installation Profitability with Advanced Energy

One of the most effective strategies to achieve this is by integrating advanced energy storage solutions into your solar offerings.



ESS



Boost Self Storage Business Profits Now: Expert Tips Inside!

Learn how to boost profitability for your self-storage business with expert digital marketing and SEO strategies. Take action now!

How to Use Energy Storage to Achieve Capacity ...

In an era where renewable energy integration and grid reliability are increasingly critical, energy storage plays a pivotal role in balancing capacity within the power trading market. As power



How can energy storage systems improve profitability?

Energy storage systems significantly enhance profitability through several key mechanisms: 1. Reducing energy costs by enabling demand charge management, 2. Allowing ...

How much profit does energy storage project construction make?

Based on the intricate dynamics of the energy storage sector, 1. profitability significantly varies depending on project scale and region, 2. market demand and technology ...



How is the profit of energy storage battery agent? , NenPower

1. The profit of an energy storage battery agent is determined by several critical factors: 1) market demand dynamics, 2) the efficiency and lifespan of the battery technologies, ...

How much profit is appropriate for energy storage power supply

1. The appropriate profit margin for energy storage power supplies is influenced by multiple factors, including market demand, operational costs, and investment risk ...



Standard 20ft containers



Standard 40ft containers



How is Energy Storage Profitable? Unlocking the Billion-Dollar ...

Let's face it: When you hear "energy storage," you might picture Tony Stark's arc reactor or Doc Brown's flux capacitor. But here's the kicker - energy storage profitability ...

How much profit does a large energy storage power station have?

A deep analysis into the mechanisms of revenue generation reveals that for a large energy storage power station, maximization of operational efficiency and strategic market ...



How much profit does the energy storage business have?

Based on the inquiry regarding the profitability of the energy storage enterprise, 1. The energy storage sector is experiencing significant growth, attributed to rising demand and ...



Beyond Batteries: How CATL's Strategic Pivot to ...

These technological advances have not only strengthened CATL's position in utility-scale energy storage markets but also positioned it advantageously in emerging user-side storage scenarios.



How much profit does energy storage bring? , NenPower

The profitability of energy storage solutions can be significant and multifaceted.1. Revenue streams can stem from ancillary services and demand charge reductions; energy ...

ESS Inc. bets on gigawatt-hour scale long

April 2024 commissioning celebration for an ESS Inc. long-duration flow battery project in Burbank, California, US. Image: ESS Inc. Flow battery energy storage manufacturer ...



How is the profit of energy storage battery cells? , NenPower

Energy storage battery cells generate profits through 1. increasing demand for renewable energy solutions, 2. advancements in technology enhancing efficiency, and 3. the ...

How much profit can energy storage power station investment ...

1. Investment in energy storage power stations can yield significant financial returns depending on various factors, such as location, technology utilized, and market ...



114KWh ESS



ISO 9001 ISO 14001 PICC RoHS CE MSDS UN38.3 UK CA IEC

How much profit does portable energy storage power supply have

1. PORTABLE ENERGY STORAGE POWER SUPPLY: A PROFIT ANALYSIS1. Portable energy storage power supplies represent a burgeoning market with significant ...

How much profit does Tesla's energy storage power station make?

The integration of energy storage technology not only optimizes energy consumption but also provides a buffer against market volatility. In a world strained by climate ...

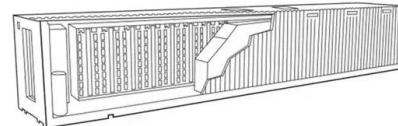


How is the profit of energy storage business? , NenPower

Profitability in the energy storage business hinges on several fundamental factors, including technological choice, regional regulations, market structure, and customer demand. ...

How much profit does energy storage power supply have

1. Energy storage systems have emerged as critical components for enhancing the profitability of the energy supply sector. 2. The profitability of energy storage power supply is ...



How is the profit of pumped storage power station?

Consider operational efficiency, where a well-designed pumped storage scheme can achieve high round-trip efficiencies, often between 70 to 90 percent. The efficiencies determine how much energy ...

Profitability analysis and sizing-arbitrage optimisation of

This paper explores the potential of using electric heaters and thermal energy storage based on molten salt heat transfer fluids to retrofit CFPPs for grid-side energy storage ...

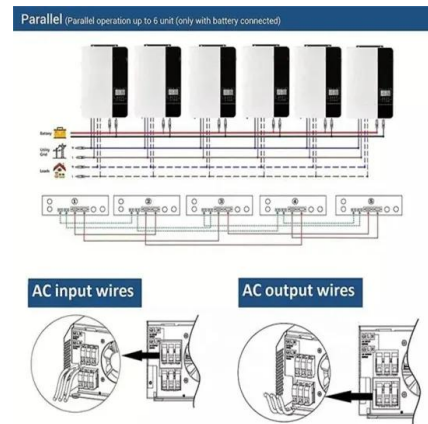


How to Boost Energy Storage Solutions Business Profitability?

Are you ready to take your business to the next level with cutting-edge energy storage solutions? Look no further. Our comprehensive guide provides seven proven strategies ...

How Can You Maximize Profitability with Energy Storage Solutions?

Are you looking to significantly boost your energy storage solutions business's bottom line? Discover five actionable strategies designed to unlock unprecedented profitability, ...



How Can Climate Controlled Storage Facilities Maximize Profitability

Strategies to Maximize Profitability To achieve optimal profitability in a climate-controlled storage facility, a multi-faceted approach focusing on revenue enhancement and ...

How Storage Makes Money

There are two main ways that grid-scale energy storage resources (ESR's) can make money: energy price arbitrage and ancillary grid services. In several markets, energy storage resources (ESRs) can make money by ...



How to Improve Profitability in Renewable Energy Storage

Welcome to the Renewable Energy Store: Seven Questions about Profitability. In today's rapidly evolving energy market, businesses and consumers alike are increasingly ...

How Storage Makes Money

There are three main ways that grid-scale energy storage resources (ESR's) can make money: energy price arbitrage, ancillary grid services, and resource adequacy.



Contact Us

For catalog requests, pricing, or partnerships, please visit:
<https://apartamenty-teneryfa.com.pl>