

JH Solar

How to store energy in the contact cabinet



Overview

The right energy storage cabinet can make a significant difference in ensuring operational efficiency, safety, and long-term cost savings. For businesses in industries like renewable energy, manufacturing, and telecommunications, selecting the ideal cabinet is more than just a technical choice—it's.

The right energy storage cabinet can make a significant difference in ensuring operational efficiency, safety, and long-term cost savings. For businesses in industries like renewable energy, manufacturing, and telecommunications, selecting the ideal cabinet is more than just a technical choice—it's.

Ever wished your power grid could "snack" on stored energy during peak demand?

That's essentially what energy storage in distribution cabinets enables. As of 2025, China's total installed energy storage capacity hit 140 million kW [4], proving this tech isn't just a buzzword - it's reshaping how we.

This article will introduce in detail how to design an energy storage cabinet device, and focus on how to integrate key components such as PCS (power conversion system), EMS (energy management system), lithium battery, BMS (battery management system), STS (static transfer switch), PCC (electrical.

The secret often lies in energy storage power cabinets - the unsung heroes of modern electricity management. These metal beasts aren't your grandpa's battery boxes; they're sophisticated systems storing enough juice to power small neighborhoods. Let's crack open these technological marvels. Modern. What is energy storage cabinet?

Energy Storage Cabinet is a vital part of modern energy management system, especially when storing and dispatching energy between renewable energy (such as solar energy and wind energy) and power grid. As the global demand for clean energy increases, the design and optimization of energy storage sys.

Why do energy storage cabinets use STS?

STS can complete power switching within milliseconds to ensure the continuity and reliability of power supply. In the design of energy storage cabinets, STS is usually used in the following scenarios: Power switching: When the power grid loses power or fails, quickly switch to the energy storage system to provide power.

What type of batteries are used in energy storage cabinets?

Lithium batteries have become the most commonly used battery type in modern energy storage cabinets due to their high energy density, long life, low self-discharge rate and fast charge and discharge speed.

How to store energy in the contact cabinet

APPLICATION SCENARIOS



Energy storage cabinets for industrial efficiency.

The advancement in energy storage cabinets and comprehensive battery storage solutions marks a significant leap forward, offering a pathway to greater efficiency, ...

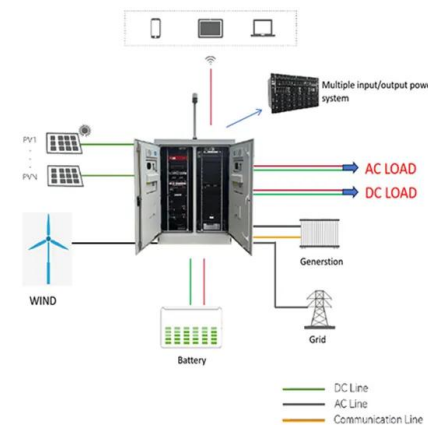


High voltage contact cabinet cannot store energy

Yes, it is possible to store excess energy from your solar panels for future use. By using energy storage solutions such as batteries or other

The Ultimate Guide To Air Conditioned Cabinets: Enhancing ...

Introduction of Air Conditioned Cabinet In today's technology-driven world, sensitive electronic equipment must operate reliably in harsh outdoor environments. Whether ...



What Are the Key Benefits of Battery Energy Storage Cabinets?

Understanding Battery Energy Storage Cabinets In today's rapidly advancing energy landscape, Battery Energy Storage Cabinets are emerging as a key component in our ...

storage technologies, you can store the excess ...

LFP12V100



How to Store Energy When Your Low Voltage Cabinet Can't ...

But here's the kicker: energy storage isn't just about keeping lights on. It's about maintaining operations, protecting equipment, and avoiding those "oh no" moments when production lines ...

How to correctly install lithium battery energy storage cabinet?

Choose the correct installation location for your lithium battery energy storage cabinet. First of all, we must determine the environmental conditions of the installation site to ...



How does the Singularity Energy Storage Cabinet communicate?

The Singularity Energy Storage Cabinet employs advanced communication technologies to facilitate efficient operations, providing seamless integration with energy ...

High Voltage Battery Cabinet: Transforming Energy Storage

It serves as a critical solution, providing a secure and efficient storage option for homes and industrial setups alike. Designed to seamlessly integrate with solar panels and other ...

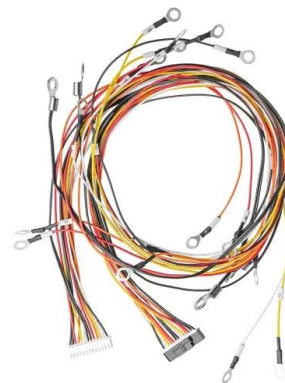


How to Produce Energy Storage Equipment Cabinets: A Maker's ...

From Blueprint to Reality: Understanding the Nuts and Bolts Let's cut through the jargon - producing energy storage cabinets isn't just about welding metal boxes. It's like building the ...

Why Energy Storage Cabinets Are Essential for ...

Energy storage cabinets are an important component of any commercial or residential electrical system and are the central component for managing, converting, and storage of energy. The main purpose of an ...



Why Store Energy in Power Cabinets? The Game-Changer You ...

Enter power cabinets--the unsung heroes of modern energy systems. These unassuming metal boxes are rewriting the rules of electricity management, acting like energy ...

What does the energy storage cabinet consist of?

What does the energy storage cabinet consist of?

1. The energy storage cabinet typically consists of several key components: 1. Battery systems, 2. Inverters, 3. Management systems, 4. Structural ...



- LIQUID/AIR COOLING
- INTELLIGENT INTEGRATION
- PROTECTION IP54/IP55
- BATTERY /6000 CYCLES



How to Store Energy in Distribution Cabinet: A Practical Guide for

Why Energy Storage in Distribution Cabinets is Like Having a Snack Stash for Your Grid Ever wished your power grid could "snack" on stored energy during peak demand? ...

How to Transfer the Energy Storage Record: A Practical Guide ...

Understanding Your Audience: Who Needs Energy Storage Record Transfer? If you're reading this, chances are you're either an energy engineer, a grid operator, or a ...



How to correctly install lithium battery energy ...

Choose the correct installation location for your lithium battery energy storage cabinet First of all, we must determine the environmental conditions of the installation site to avoid extreme ...

How does the high voltage cabinet store energy and close the ...

High voltage cabinets exemplify the integration of energy storage and switching technology in modern electrical systems. With various subcomponents, such as capacitors and ...



Integrated energy storage cabinets

To use an integrated energy storage cabinet, install batteries and related equipment into designated compartments. The cabinet provides a centralized and secure storage solution for energy storage components.

How about energy storage cabinet , NenPower

Energy storage cabinets are advanced systems designed to hold and manage various forms of energy. 1. They enhance energy efficiency and utilization, significantly ...

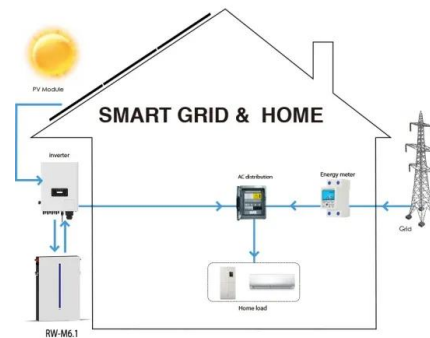


How to store energy and close the low voltage distribution ...

How to distribute electric energy in high and low voltage distribution cabinet. As the name suggests, high and low voltage distribution cabinet is the distribution equipment used for power ...

Energy Storage System Basis: What Are Energy ...

An energy storage cabinet is a device that stores electrical energy and usually consists of a battery pack, a converter PCS, a control chip, and other components. It can store electrical energy and release it for power use ...



How to design an energy storage cabinet: integration and ...

As the core equipment in the energy storage system, the energy storage cabinet plays a key role in storing, dispatching and releasing electrical energy. How to design an ...

How to store energy and close the low voltage distribution ...

With such an enormous demand for energy, it's more important than ever for electrical power to be distributed in a reliable and efficient way. That's why low voltage distribution equipment



[EGS Smart energy storage cabinet](#)

As the world moves towards decarbonization, innovative energy storage solutions have become critical to meet our energy demands sustainably. AnyGap, established in 2015, is a leading ...



How does the energy storage cabinet work? , NenPower

1. Energy storage cabinets function as integrated systems designed to store electrical energy for later use, fulfilling several key roles in modern energy management: 1) ...

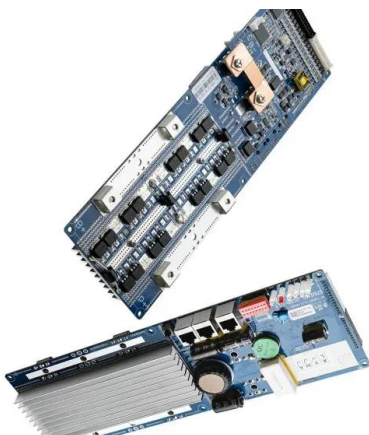


How to store energy in high voltage transformer cabinet

Reinforced push-pull transformers are a durable, efficient way to provide low-voltage bias power to microelectronics in high-voltage energy storage applications.

What is an energy storage combiner cabinet

y cabinets in a solar-plus-storage system. While smaller systems, those with one or tw eenhouse gas emissions) and facil Base-type Energy Storage Cabinet. Base-type energy storage ...

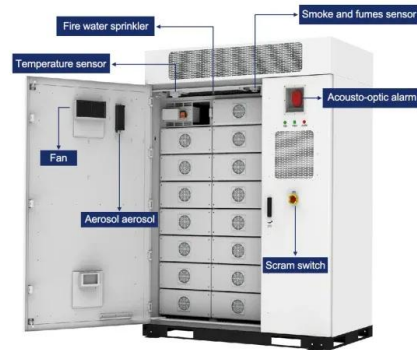


How efficient can the energy storage cabinet be? , NenPower

When considering the energy storage cabinet, efficiency can vary based on several factors. 1. Energy density significantly influences performance, determining how much ...

Integrated energy storage cabinets

Integrated energy storage cabinets for new energy are used to store and manage energy storage systems, batteries, and related components in renewable energy installations, microgrids, and off-grid systems.



How does the energy storage cabinet generate ...

The storage mechanism is fundamentally hinged upon the principle of conserving electrical energy. When excess electricity is generated, for instance, during peak sunlight hours for solar panels or ...

What Are 100KW/215KWH Energy Storage Cabinets?

Energy storage cabinets are essentially systems designed to store energy generated from renewable sources like solar panels or wind turbines. The 100KW/215KWH ...



Energy Storage Cabinets: Key Components, ...

Energy storage cabinets are crucial in modern energy systems, offering versatile solutions for energy management, backup power, and renewable energy integration. As technology advances, these ...

Contact Us

For catalog requests, pricing, or partnerships, please visit:
<https://apartamenty-teneryfa.com.pl>