

**JH Solar**

# **Small bolt energy storage welding machine**



## Overview

---

How does a spot welding machine work?

The spot welding machine is equipped with a built-in temperature control probe. When the battery temperature reaches 60°C /140 °F, the spot welding machine automatically shuts down. The spot welder automatically shuts down without any operation within 8 minutes.

What materials can a spot welding machine Weld?

Our spot welding machine can weld materials such as nickel sheets and nickel sheets, nickel sheets and iron, nickel sheets and circuit boards. 5000 mAh high capacity battery, Type-C input port, with a parameter input of 5V/2A, can be fully charged in up to 2 and a half hours. the maximum output current can reach 650A.

What is the maximum output current of the spot welding machine?

the maximum output current can reach 650A. The 16 inch spot welding pen, paired with our side opening, is very flexible and convenient to operate. The spot welding machine is equipped with a built-in temperature control probe. When the battery temperature reaches 60°C /140 °F, the spot welding machine automatically shuts down.

Why should you choose a portable spot welder?

Our portable spot welders own perfect over-charge, over-discharge, over-temperature etc protection functions and double protection performance. Unique overheating protection device automatically cuts off power when the overheating occurs. [Our service] In the process of using the spot welder, please feel free to contact us if you have any questions.

Can a spot welding machine replace a battery?

To replace the battery, we can use our spot welding machine to replace the nickel plate on the phone. Our spot welding machine can weld materials such

as nickel sheets and nickel sheets, nickel sheets and iron, nickel sheets and circuit boards.

What are the advantages of using a welding pen?

Automatic and manual mode adjustable, easy to operate. The welding pen is comfortable to use, the length of welding pen is 40cm/16 inches, that makes operation more flexible. It is low resistance oxygen free copper material, welding stability.

## Small bolt energy storage welding machine

---



### How much does a small energy storage welding machine cost

The price of a small energy storage welding machine generally ranges between \$1,500 and \$5,000, depending on various factors such as brand reputation, machine capacity, ...

### Handheld Single-Channel Energy Storage Welding ...

Energy Storage Capacitor Discharge Stud Welding Machine This capacitory discharge stud welder is generally used for welding studs bolts with a diameter of 3-10 mm. The stud welded end face must have a precise ...



### Small bolt energy storage welding machine

U.S. Solid USS-BSW06 Battery Spot Welder 14.5 KW 2500A Capacitor Energy Storage Pulse Welding Machine, Mini Portable Spot Welding Equipment for 18650, 21700 Lithium Battery

### Capacitor Energy Storage Arc Welding Machines: The Future of ...

Enter capacitor energy storage arc welding machines - the unsung heroes creating sparks

(literally!) in advanced manufacturing. As the global energy storage market ...



## Energy storage bolt welding gun adjustment video

other arc welding process. In stud welding, the power source and stud welding control system are set to control the amperage and the arc duration or time. The welding gun has a trigger

...

## SZ-GCS13 capacitor energy storage stud welding machine M3-M10 bolt

The energy-storage stud welding machine refers to the welding machine that welds the whole transverse plane of the metal stud or similar parts on the workpiece through instantaneous ...



## Stored Energy Welders

Stored Energy power supplies are rated in accordance with the amount of energy they store and the welding speed. The energy stored, expressed in watt-seconds (joules), is the product of ...

## EV Battery Welding & Battery Manufacturing , Laserax

Battery Laser Welding For Battery Pack Manufacturing Laser welding is one of the most promising joining technologies for EV batteries and energy storage systems. It provides the speed and ...



## Ruichuang Small Size Handheld Single-Channel ...

Introducing the Handheld Single-Channel Energy Storage Stud Welding Machine; designed and manufactured by Luoyang Ruichuang Electrical Equipment Co. Ltd;



## Capacitor Energy Storage Spot Welding Machines: Powering ...

If you're reading this, chances are you're either a manufacturing engineer trying to optimize production lines, a procurement specialist comparing welding technologies, or a ...



**1075KWHH ESS**



## SZ-GCS13 capacitor energy storage stud welding machine M3-M10 bolt

The energy storage stud welding machine adopts large-capacity capacitor as the source of welding energy. The thyristor precisely controls the discharge time and quickly ...

## Energy Storage Welding Guns: The Future of Precision Joining

Ever wondered how your smartphone survives that accidental coffee bath or why electric car batteries don't melt into modern art during production? Meet the energy ...



## Stud Bolt Welding Machine

In today's industrial landscape, precision and efficiency are paramount, and the stud bolt welding machine stands as a crucial tool in achieving these objectives. As a specialized welding ...

## How about Panasonic energy storage bolt welding machine

Panasonic energy storage bolt welding machines stand out due to their advanced control systems and flexibility in handling multiple materials. Unlike many traditional ...



## Italian Energy Storage Welding Machine Design: Where ...

Let's cut through the sparks: when most folks hear "energy storage welding machines," they picture greasy factory floors, not Italian engineering marvels. But here's the shocker - these ...

## Power Storage Bolt Welding Machine

Power storage bolt welding machine Sturdy metal casing, adaptable to grid fluctuations, suitable for harsh working conditions. Simple operation, convenient adjustment, and display with control function. Adopt constant ...



 **LFP 280Ah C&I**



## **EV Battery Welding & Battery Manufacturing**

Battery Laser Welding For Battery Pack Manufacturing Laser welding is one of the most promising joining technologies for EV batteries and energy storage systems. It provides the speed and precision needed to make the ...

## **SZ-GCS13 capacitor energy storage stud welding machine M3-M10 bolt**

Portable Capacitive Energy Storage Stud Welder/ High Quality Capacitive Stud Welder/ Hand-held stud butt welder (1) The energy-storage stud welding machine re



 **Efficient Higher Revenue**

- Max. Efficiency 97.3%
- Max. PV Input Voltage 600V
- 100% Peak Output Power
- 2 MPPT Trackers, 150% DC Input Overloading
- Max. PV Input Current 15A, Compatible with High Power Modules

 **Intelligent Simple O&M**

- IP66 Protection Degree: support outdoor installation
- Smart I-V Curve Diagnosis Function: locate PV string faults accurately and automatically detect faults
- DC & AC Type II SPD: prevent lightning damage
- Battery Reverse Connection Protection

 **Flexible Abundant Configuration**

- Plug & Play, EPC Switching Under 30ms
- Compatible with Lead acid and Lithium Batteries
- Max. Currents Inverter Available
- AFC Function (Optional): when an arc fault is detected the inverter immediately stops operation



## **Spot Welder, Kerpu Mini Spot Welder, Portable Spot Welder**

...

Kerpu focuses on providing innovative portable spot welding machines to meet the needs of families and professionals, as well as enthusiasts who enjoy repairing old ...

## Spot Welder, Kerpu Mini Spot Welder, Portable Spot Welder Machine...

Spot Welder, Kerpu Mini Spot Welder, Portable Spot Welder Machine, Spot Welding Equipment Energy Storage 5000mAh for DIY 18650 Battery, Portable Battery Welder ...



## Energy Storage Spot Welding Machine Ranking: Top Picks for 2024

Their new welding robots can switch between 9 materials without recalibration. Bet that'll shake up next year's energy storage spot welding machine rankings.

## AC220V Capacitor Discharge Stud Welding ...

AC220V Capacitor Discharge Stud Welding Machine Energy Storage Stud/Bolt Welder, Find Details and Price about Welding Machine Solder from AC220V Capacitor Discharge Stud Welding Machine Energy Storage ...



## Cairo Energy Storage Projection Welding Machine: The Future of

Imagine a lightning bolt trapped in a box--that's essentially how Cairo energy storage projection welding machines operate. These devices store electrical energy (like a battery) and discharge ...

## Power Storage Bolt Welding Machine

Power storage bolt welding machine Sturdy metal casing, adaptable to grid fluctuations, suitable for harsh working conditions. Simple operation, convenient adjustment, and display with control ...

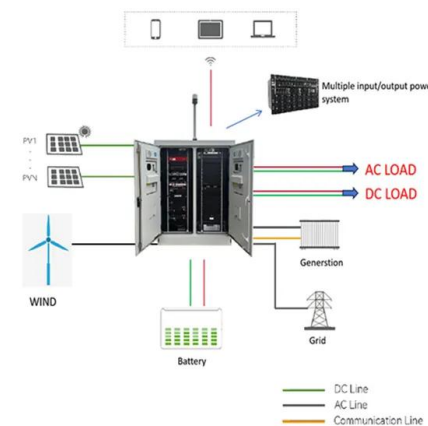


## Battery Welding

A Guide to Selecting and Using Laser, Micro-TIG and Resistance Technologies Batteries and battery packs have become an integral part of everyday life, in response to the ever-increasing ...

## Bolt Welding Machine

The machine is built to withstand harsh conditions, making it a reliable choice for outdoor and indoor use. Its advanced cooling system ensures that the machine remains at an optimal ...



## **Energy Storage Welding Machine Nuts: The Unsung Heroes of ...**

The Nuts and Bolts of Modern Welding Tech How Energy Storage Welding Machines Work (Without Boring You to Tears) Unlike your grandpa's welding gear, today's machines use ...



## TATE Energy Storage Spot Welding Machine For Hot Forming Steel Bolt

TATE energy storage spot welding machine for hot forming steel bolt projection welding, we are the source manufacturer of energy storage spot welding machine, we can customize all kinds ...



## Spot Welder, Kerpu Mini Spot Welder, Portable ...

Spot Welder, Kerpu Mini Spot Welder, Portable Spot Welder Machine, Spot Welding Equipment Energy Storage 5000mAh for DIY 18650 Battery, Portable Battery Welder with Type-C Port 2A Input (Black) ...

## TATE Energy Storage Spot Welding Machine For ...

TATE energy storage spot welding machine for hot forming steel bolt projection welding, we are the source manufacturer of energy storage spot welding machine, we can customize all kinds of semi



## capacitor energy storage stud welding machine M3-M10 bolt

The energy-storage stud welding machine refers to the welding machine that welds the whole transverse plane of the metal stud or similar parts on the workpie

## Contact Us

---

For catalog requests, pricing, or partnerships, please visit:  
<https://apartamenty-teneryfa.com.pl>