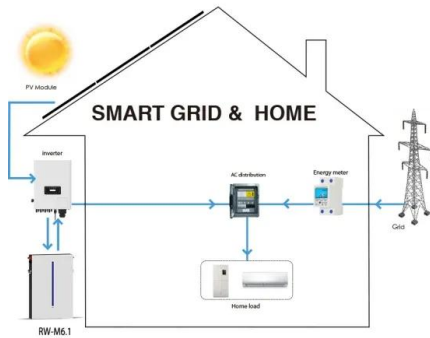


JH Solar

The current status of e-way energy storage in botswana



The current status of e-way energy storage in botswana

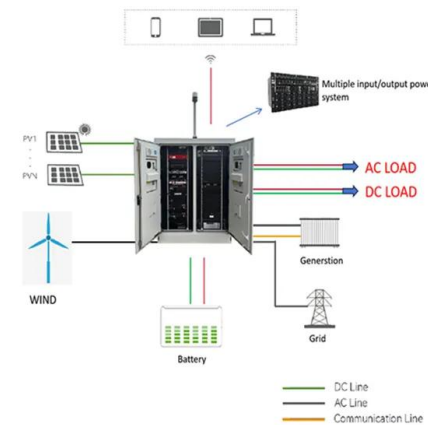


Current status of renewable energy storage

This data-driven assessment of the current status of energy storage markets is essential to track progress toward the goals described in the Energy Storage Grand Challenge ...

electric vehicle energy lithium energy botswana energy storage ...

A comprehensive review of energy storage technology development and application for pure electric vehicle... Energy technology is an indispensable part of the development of pure ...



ENERGY PROFILE BOTSWANA

Botswana electric vehicle energy lithium energy storage Botswana has been approved for funding which will go towards its first 50MW utility-scale battery energy storage system. The battery ...

Renewable energy villages roadmap development for Ethiopia, ...

This article aims to map out a roadmap 2025-2029 for 4 African nations--Ethiopia, Kenya,

Uganda, and Botswana--and associated policy recommendations. ...



Energy Storage in Botswana: Powering the Future Under the Sun

The Current Energy Landscape: More Than Just Coal and Cattle Botswana still relies heavily on coal (over 80% of electricity!) and imports from neighbors. But with climate ...

what are the energy storage devices in botswana

Design Strategies for Anti-Freeze Electrolytes in Aqueous Energy Storage Devices With the continuous development of electrochemical energy storage technology, especially in the ...



- ✓ ALL IN ONE
- ✓ 100Kw/174Kwh High Capacity
- ✓ Intelligent Integration

Energy Storage in Botswana: Powering the Future Under the Sun

Botswana still relies heavily on coal (over 80% of electricity!) and imports from neighbors. But with climate targets biting and diamond revenues shining less brightly, the ...

Energy storage scale botswana , Solar Power Solutions

World Bank approves funding for Botswana's first grid-scale BESS The World Bank announced it had approved financing for Botswana's first grid-scale battery energy storage system as part of ...

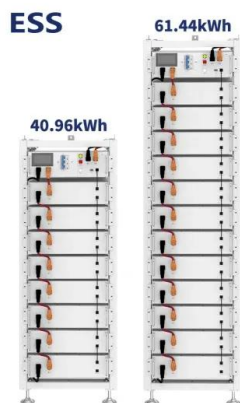


botswana has high prospects for energy storage

Current situations and prospects of energy storage batteries In recent years, the power grid structure has undergone great changes, and the penetration of renewable generations ...

[Botswana energy storage policy 2025](#)

The use of livestock residues (cow-dung) seems to offer the highest practical opportunity for energy production in Botswana, while municipal solid waste (MSW) can also contribute to the ...

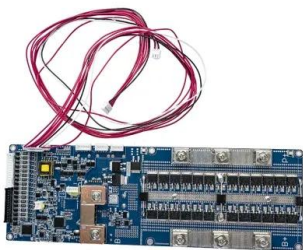


Botswana: Renewable energy industry starts to ...

As the African Development Bank (AfDB) pointed out in 2022 in its Botswana Renewable Energy Support Project - Project Appraisal Report, the country's first IRP, which was approved in August 2020, ...

Botswana Energy Storage Project: Latest Progress, Challenges, ...

The Botswana energy storage project is quietly becoming Africa's dark horse in the clean energy race. As of March 2025, this \$120 million initiative has already deployed ...



botswana energy storage power station national subsidy policy

Energy storage system policies: Way forward and opportunities 3. Energy storage system policies worldwide. ESS policies are being introduced worldwide for different reasons though the main ...

Robotswana energy storage design

Robotswana turns on battery energy storage The World Bank Group has approved plans to develop Botswana's first utility-scale battery energy storage system (BESS) with 50MW output ...



CURRENT STATUS OF ENERGY STORAGE MATERIALS DEVELOPMENT IN BOTSWANA

Current status of energy storage flywheels Thanks to the unique advantages such as long life cycles, high power density and quality, and minimal environmental impact, the flywheel/kinetic ...

National Energy Policy Final

This National Energy Policy (NEP) is intended to guide the management and development of Botswana's energy sector, especially the penetration of new and renewable energy sources ...



botswana has vanadium energy storage

Recent Progress in the Applications of Vanadium-Based Oxides on Energy Storage: from Low-Dimensional Nanomaterials Synthesis to 3D Micro 1 Introduction With the economic, ...

current status of battery energy storage power plant in botswana

A review on hybrid photovoltaic - Battery energy storage system: Current status... This research has analyzed the current status of hybrid photovoltaic and battery energy storage system along ...



Botswana lands funding for its first utility-scale

The project is aimed at supporting Botswana's first 335 MW of renewable energy projects, being built out by private companies, with first plants expected to be in operation as soon as 2025.

Energy Storage Workshop in Antananarivo, Botswana: Powering ...

Imagine trying to charge your phone during a 3-day safari - that's exactly how unpredictable energy access feels in parts of Botswana. The upcoming Energy Storage ...



TAX FREE

ENERGY STORAGE SYSTEM

Product Model
 HJ-ESS-215A(100KW/215KWh)
 HJ-ESS-115A(50KW 115KWh)

Dimensions
 1600*1280*2200mm
 1600*1200*2000mm

Rated Battery Capacity
 215KWH/115KWH

Battery Cooling Method
 Air Cooled/Liquid Cooled

Botswana energy storage power

The battery energy storage system will enable Botswana's first wave of renewable energy generation to be smoothly integrated and managed in the grid. The first wave of 335MW ...

BOTSWANA AFRICA ENERGY PORTAL

Botswana electric vehicle energy lithium energy storage Botswana has been approved for funding which will go towards its first 50MW utility-scale battery energy storage system. The battery ...



STATUS OF CARBON CAPTURE AND STORAGE IN ...

Given Botswana's energy endowment, its cleaner fuel options are to: Develop coal-bed methane and to explore solar thermal, while examining prospects for carbon capture and storage as a ...

CURRENT STATUS OF BATTERY ENERGY STORAGE ...

CURRENT STATUS OF BATTERY ENERGY STORAGE POWER PLANT IN BOTSWANA The country's Vision 2036 calls for 50% renewable energy allocation by 2036. Deal sealed for ...



CURRENT STATUS OF BATTERY ENERGY STORAGE ...

The World Bank Group has approved plans to develop Botswana's first utility-scale battery energy storage system (BESS) with 50MW output and 200MWh storage capacity.

Overseas agency energy storage botswana branch

Consequently, overseas energy storage projects, on the whole, exhibit more favorable economic prospects. Year-on-year growth in installed capacity Germany household storage: In August ...

Our Lifepo4 batteries can beconnected in parallels and in series for larger capacity and voltage.



botswana photovoltaic power station energy storage policy

An optimal energy storage system sizing determination for improving the utilization and forecasting accuracy of photovoltaic (PV) power stations In recent years, installing energy ...

energy storage cloud botswana technology

The grid-based sharing energy storage technology, called cloud energy storage (CES) is proposed in [], which provides users with energy storage services on-demand, anytime, ...



RENEWABLE ENERGY THE CASE OF BOTSWANA

Renewable energy systems holdings limited Malaysia The RES Group (Renewable Energy Systems) is the world's largest independent company, having been in the sector for more than ...

Botswana to launch first utility-scale battery energy ...

The World Bank Group has approved plans to develop Botswana's first utility-scale battery energy storage system (BESS) with 50MW output and 200MWh storage capacity.

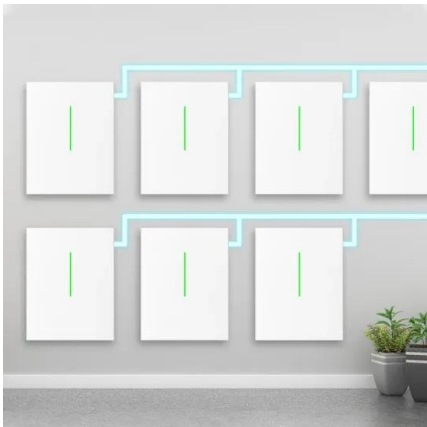


Solar Thermal Technology in the Botswana Energy ...

A review of the status of solar thermal technology and its contribution to the energy mix of Botswana, as well as the issues and opportunities for this technology in Botswana.

botswana thermal energy storage

Botswana's Integrated Resource Plan (IRP) continues to provide a roadmap and guidance to achieve a reliable, safe, and affordable electricity supply with a target of renewable energy ...



Botswana Overview: Development news, research, data , World Bank

Botswana is located at the center of Southern Africa, positioned between South Africa, Namibia, Zambia, and Zimbabwe. One of the world's poorest countries at independence ...

Contact Us

For catalog requests, pricing, or partnerships, please visit:
<https://apartamenty-teneryfa.com.pl>