

JH Solar

The first mobile shared energy storage project is

OEM service



Hot Colors:



Color can be customized
more questions just do not hesitate to contact us

LOGO Position: (Screen printing)



Overview

What is shared energy storage?

Shared energy storage is generally applied in the supply, network, and demand sides of power systems. The shared energy storage at the supply side is mainly utilized for renewable energy consumption (Zhang et al., 2021). The proportion of renewable energy is greatly increasing due to the continuous promotion of "carbon peaking and neutrality".

Which energy storage station project was successfully connected to the grid?

Source: ASIACHEM WeChat, 1 April 2025 The 101MW/205MWh energy storage station project constructed by CHN Energy I&C for the Guoneng Penglai Power Generation Co., Ltd. was successfully connected to the grid on 29 March.

What are some examples of shared energy storage demonstration projects?

At present, shared energy storage demonstration projects have been launched at home and abroad. In 2009, the "Economic Grid" project of SENECS in Germany (De Fusco et al., 2016) proposes the "Free Lunch" business model.

Does mobile energy storage improve power system resilience?

Compared to stationary batteries and other energy storage systems, their mobility provides operational flexibility to support geo-graphically dispersed loads across an outage area. This paper provides a comprehensive and critical review of academic literature on mobile energy storage for power system resilience enhancement.

What is mobile energy storage?

In addition to microgrid support, mobile energy storage can be used to transport energy from an available energy resource to the outage area if the outage is not widespread. A MESS can move outside the affected area, charge, and then travel back to deliver energy to a microgrid.

What is a shared energy storage mode?

The shared energy storage mode can attract more capital to actively invest in the energy storage industry, accelerate the development of energy storage scale and maximize the efficiency of energy storage utilization. Transactive energy (TE) (Yang et al., 2020): it is the application of sharing economy in the field of the electricity market.

The first mobile shared energy storage project is

ESS



What is the shared energy storage industry?

What is the shared energy storage industry? 1. Overview of the Shared Energy Storage Sector: The shared energy storage industry refers to 1. the collaborative use of energy storage systems, 2. the ...

Can shared energy storage break through the ...

Shared energy storage is an independent energy storage power station built by a third party, which is leased to the demander for income through capacity leasing. Shared energy storage provides a more ...



China's First Shared Energy Storage Demonstration Project ...

This marks the first domestic shared storage demonstration project to integrate four types of new energy storage technologies--lithium iron phosphate, sodium-ion, vanadium ...

Shared Energy Storage Cooperation: Powering the Future Together

Why Shared Energy Storage Is the New Electricity Carpooling Imagine your neighbor's

solar panels generating excess energy while your home battery sits half-empty. Shared energy ...



Shared hybrid energy storage system optimal configuration in ...

Abstract The shared hybrid energy storage system (SHESS) offers a potential solution to high initial investment costs for multi-energy microgrid system (MEMS) users and ...



China's First Domestic Market Share Storage ...

China's first market-run (grid-side) Shared energy storage power station was built in German city, Haixi Mongol and Tibetan autonomous prefecture of Qinghai province on Thursday, the state grid of ...



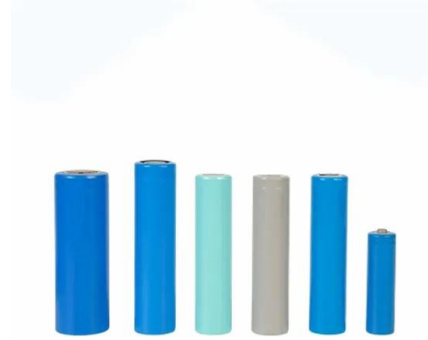
Optimal siting of shared energy storage projects from a ...

Therefore, a two-stage multi-criteria decision-making model is proposed to identify the optimal locations of shared energy storage projects in this work. In the first stage, ...



Mobile Energy Storage Systems: A Grid-Edge Technology to ...

Increase in the number and frequency of widespread outages in recent years has been directly linked to drastic climate change necessitating better preparedness for outage mitigation. ...



Sunwoda launches the world's first 10-metre, 2 ...

Sunwoda Energy has recently unveiled the Sunwoda MESS 2000, the world's first 10-metre-class mobile energy storage system vehicle with a 2 MWh energy storage capacity.

Mobile Energy-Storage Technology in Power Grid: A Review of

In the high-renewable penetrated power grid, mobile energy-storage systems (MESSs) enhance power grids' security and economic operation by using their flexible ...

Applications

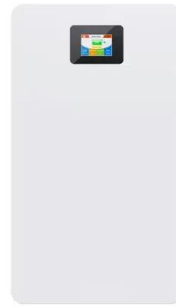


What are the development barriers of user-side shared energy storage

Abstract User-side shared energy storage system (USESS) is a key technology to centralize and optimize the efficient utilization of decentralized flexible adjustment resources.

Applications of shared economy in smart grids: Shared energy ...

This paper is focused on the state of the art of shared energy storage and transactive energy (TE) which are the typical applications of shared economy in smart grids. ...



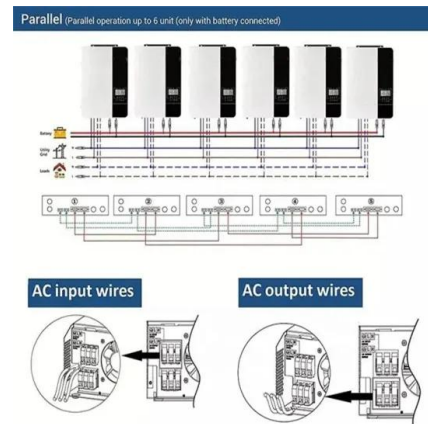
China's First Domestic Market Share Storage Power Station

...

China's first market-run (grid-side) Shared energy storage power station was built in German city, Haixi Mongol and Tibetan autonomous prefecture of Qinghai province on ...

Exploring the willingness and evolutionary process of public

Community shared energy storage projects (CSES) are a key initiative for maintaining grid stability in the process of advancing the low-carbon transition of energy systems. ...



Exploring the willingness and evolutionary process of public

Community shared energy storage projects (CSES) are a key initiative for maintaining grid stability in the process of advancing the low-carbon transition of energy ...

Research on the optimization strategy for shared energy storage

Abstract Renewable energy development and advanced storage technologies are key to reducing fossil fuel dependence and enabling the green transition. This study ...



[2411.06107] A capacity renting framework for shared energy ...

This research proposes a capacity renting framework for shared ESS considering P2P energy trading of prosumers. In the proposed framework, prosumers can ...

Application of Mobile Energy Storage for Enhancing Power ...

Mobile energy storage systems, classified as truck-mounted or towable battery storage systems, have recently been considered to enhance distribution grid resilience by providing localized ...



China's energy storage deployments for first nine ...

China deployed 533.3MW of new electrochemical energy storage projects in the first three quarters of 2020, an increase of 157% on the same period in 2019.

The First Domestic Combined Compressed Air and ...

On July 20th, the innovative demonstration project of the combined compressed air and lithium-ion battery shared energy storage power station commenced in Maying Town, Tongwei County, Dingxi City, ...

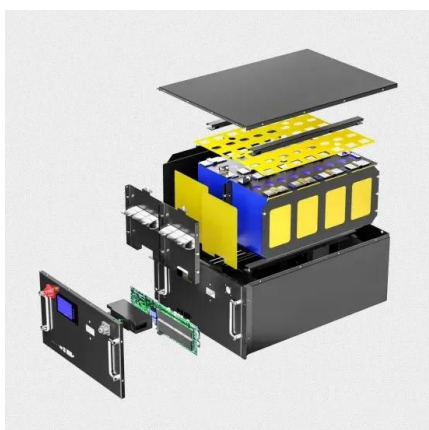


Optimal siting of shared energy storage projects from a ...

Therefore, a two-stage multi-criteria decision-making model is proposed to identify the optimal locations of shared energy storage projects in this work. In the first stage, the power attraction ...

What are the shared energy storage agreements?

Shared energy storage agreements are designed to accommodate a wide range of participants, including public utilities, private energy companies, renewable energy producers, and even communities ...



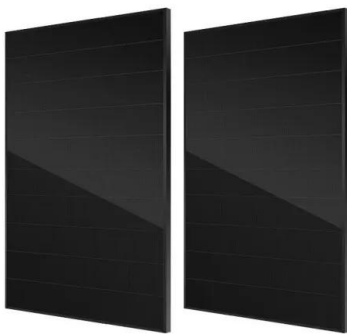
Sunwoda launches the world's first 10-metre, 2 ...

Sunwoda's MESS 2000 mobile energy storage vehicle redefines the role of mobile power--evolving from a tool for emergencies to a key player in everyday energy supply.

Application of Mobile Energy Storage for Enhancing Power ...

...

Compared to stationary batteries and other energy storage systems, their mobility provides operational flexibility to support geo-graphically dispersed loads across an outage area. This ...



India's First Commercial Utility-Scale Battery ...

New Delhi , 08 May 2024 -- In a significant step forward for India's energy transition, the Delhi Electricity Regulatory Commission (DERC) has granted regulatory approval of India's first commercial standalone Battery Energy ...

Guizhou's First Large-Scale Independent Shared Energy Storage ...

The first large-scale independent shared energy storage power station in Guizhou Province - China Ziyun (a subsidiary of CNNC) 200MW/400MWh energy storage power station ...



China's Largest Wind Power Energy Storage Project Approved ...

This project is currently the largest combined wind power and energy storage project in China. The Inland Plain Wind Farm Project in Mengcheng County is owned by the ...

my country's shared energy storage moves from pilot ...

Jiangsu's first shared energy storage station has delivered more than 60 million kWh of electricity to the grid. The first phase of the Leizhou centralized shared energy storage power station, the ...



Energy trading strategy of community shared energy storage

One of the challenges of renewable energy is its uncertain nature. Community shared energy storage (CSES) is a solution to alleviate the uncertainty of renewable resources ...

The Utilization of Shared Energy Storage in Energy Systems: A

Energy storage (ES) plays a significant role in modern smart grids and energy systems. To facilitate and improve the utilization of ES, appropriate system design and ...

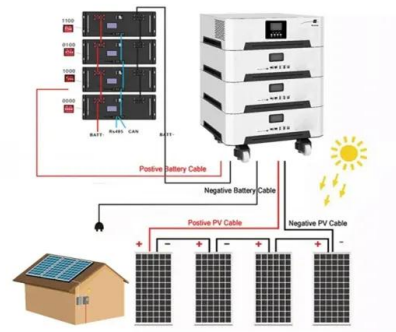


A review and outlook on cloud energy storage: An aggregated and shared

Energy storage technology is recognized as an underpinning technology to have great potential in coping with a high proportion of renewable power integration and ...

Mobile Energy Storage Systems: A Grid-Edge Technology to ...

Mobile Energy Storage Systems: A Grid-Edge Technology to Enhance Reliability and Resilience
Published in: IEEE Power and Energy Magazine (Volume: 21, Issue: 2, March-April 2023)



Contact Us

For catalog requests, pricing, or partnerships, please visit:
<https://apartamenty-teneryfa.com.pl>